

A&G MANUFACTURING CO., INC.

YOUR SOURCE FOR QUALITY, SERVICE AND EFFICIENT BUYING.

PHONE 978-587-2859

WWW.AGMFG.NET

1-888-367-8227

RIGID COUPLINGS THREE PIECE TYPE - MALLEABLE IRON

FEATURES

- FOR THREADED RIGID OR IMC CONDUIT

APPLICATION

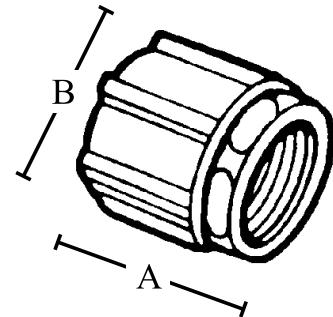
- USE AS A THREADED COUPLING BETWEEN LENGTHS OF THREADED RIGID OR IMC CONDUIT

STANDARD MATERIAL

- MALLEABLE IRON

STANDARD FINISH

- ZINC PLATED



PART #	UPC#	SIZE	UNIT CARTON	SHIP CASE	WEIGHT CASE	INCHES	
						A	B
851	10851	1/2"	20	200	48	1.43	1.36
852	10852	3/4"	10	100	38	1.63	1.58
853	10853	1"	5	50	28	1.81	1.89
854	10854	1-1/4"	5	50	44	2.19	2.38
855	10855	1-1/2"	3	30	38	2.31	2.83
856	10856	2"	---	20	37	2.44	3.29
857	10857	2-1/2"	---	10	31	2.52	4.03
858	10858	3"	---	5	20	2.58	4.62
859	10859	3-1/2"	---	5	26	2.65	5.35
860	10860	4"	---	2	13	3.42	5.87
861	10861	5"	---	1	8	4.38	7
862	10862	6"	---	1	11	4.38	8.25

978-587-2859

WWW.AGMFG.NET

1-888-367-8227