

A&G MANUFACTURING CO., INC.

YOUR SOURCE FOR QUALITY, SERVICE AND EFFICIENT BUYING.

P-978-587-2859

WWW.AGMFG.NET

1-888-367-8227

SERIES 1324 (15" HIGH) UTILITY BOX GREEN

■ 16 PER PALLET

■ BODY & COVER

■ BODY WITH METER READER COVER

■ BODY

■ COVER

■ COVER WITH METER READER DOOR

1324-15P2P

27.00 LBS. 12.25 KG

1324-15P3P

27.80 LBS. 12.61 KG

1324-15P

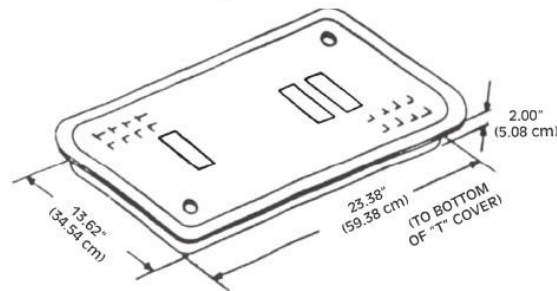
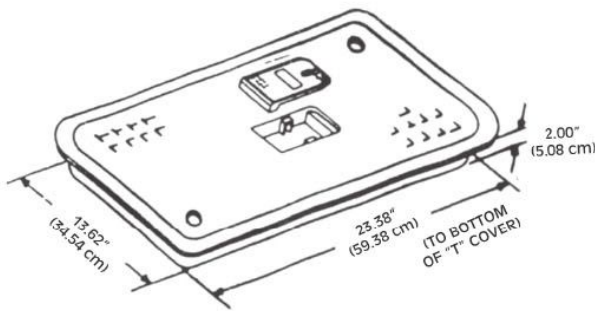
20.00 LBS. 9.07 KG

1324-2P

7.00 LBS. 3.18 KG

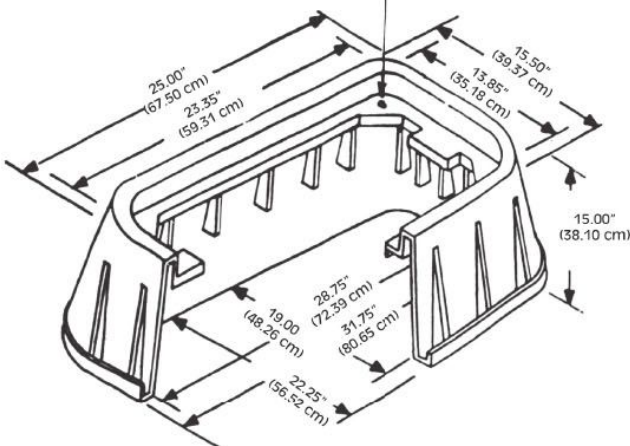
1324-3P

7.80 LBS. 3.54 KG



BOLTS - 3/8" x 2 1/2" STAINLESS STEEL

DIAGONAL BOLT DOWN PATTERN



■ FOR USE IN NON-VEHICLE TRAFFIC AREA



1324-3P



1324-2P



1324-15P

SPECIAL FEATURES

- UV INHIBITOR ADDED TO PREVENT DISCOLORING & CRACKING
- HEAVY DUTY COMMERCIAL CONSTRUCTION
- CAST IRON OR POLY METER READER COVER
- DIAGONAL BOLT DOWN PATTERN
- MOLDED IN NYLON NUT FOR BOLT

OTHER STOCK COLORS AVAILABLE

- BLACK
- GRAY
- TAN
- LAVENDER

STANDARD MARKINGS AVAILABLE (IRRIGATION CONTROL VALVE • WATER (SOLID OR WITH METER READER) • RECLAIMED WATER • ELECTRIC • TELEPHONE • SEWER)